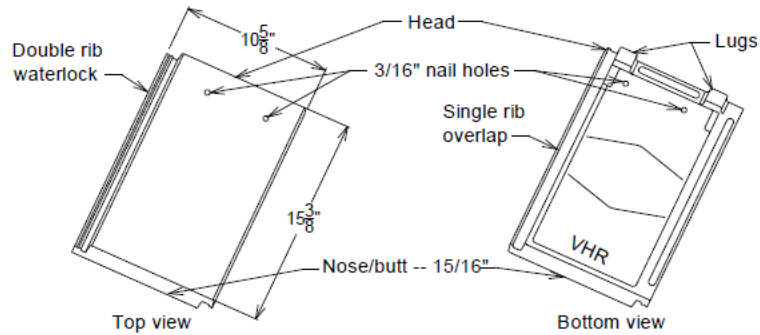


VANDE HEY RALEIGH STANDARD WEIGHT CONCRETE TILE STYLES

TECHNICAL DATA

<u>STYLE</u>	<u>DIMENSIONS</u>	<u>TILE PER SQUARE*</u>	<u>EXPOSURE PER TILE</u>	<u>APPROX LBS PER SQUARE*</u>	<u>APPROX KGS PER SQ MTR*</u>	<u>APPROX SQS PER PALLET</u>	<u>APPROX SQS + TRIM PER TRUCK</u>
Flat	15 3/8"x10 5/8"	124*	12"x9 3/4"	1,050*	51.3*	2.6	38.0



American Test Lab of South Florida attests that the sketch and dimensions provided herein is representative of the tiles tested by ATLSF as reported in Reports: RT0618.01-18 & RT0803.01-18.

Stephen W. Warter, P.E.

Reg. State of Florida # 54395

American Test Lab of South Florida

